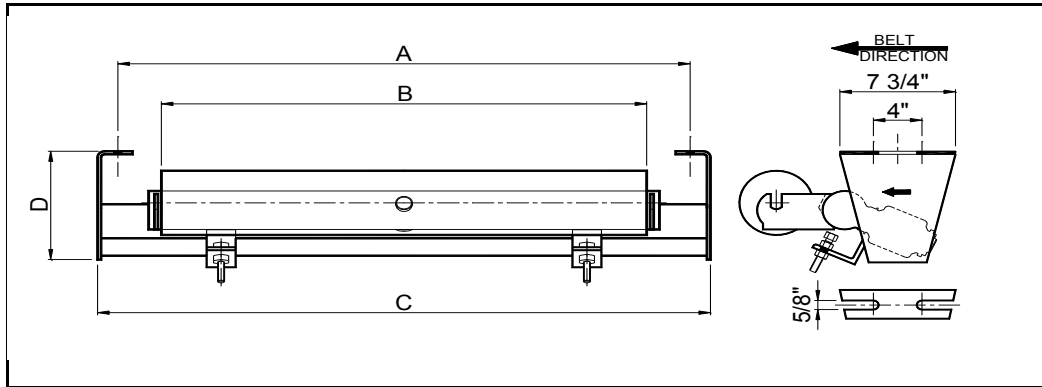




## FLAT RETURN 'BELT TAMER'



### 5" ROLL

BELT WIDTH	IDLER PART NUMBER	ROLL PART NUMBER	A	B	C	D	IDLER WEIGHT	ROLL WEIGHT	ROLL ROTATING WEIGHT	SHAFT Ø	BRG TYPE
24	MD5-2400-RET-BT	MD-RR-5-24	33	27 1/8	35 3/4	8 7/8	74	31	23	1-1/4*-1	6305
<b>30</b>	<b>MD5-3000-RET-BT</b>	<b>MD-RR-5-30</b>	<b>39</b>	<b>33 1/8</b>	<b>41 3/4</b>	<b>8 7/8</b>	<b>83</b>	<b>37</b>	<b>27</b>	<b>1-1/4*-1</b>	<b>6305</b>
36	MD5-3600-RET-BT	MD-RR-5-36	45	39 1/8	47 3/4	8 7/8	94	43	31	1-1/4*-1	6305
<b>42</b>	<b>MD5-4200-RET-BT</b>	<b>MD-RR-5-42</b>	<b>51</b>	<b>45 1/8</b>	<b>53 3/4</b>	<b>8 7/8</b>	<b>104</b>	<b>48</b>	<b>35</b>	<b>1-1/4*-1</b>	<b>6305</b>
48	MD5-4800-RET-BT	MD-RR-5-48	57	51 1/8	59 3/4	8 7/8	114	54	39	1-1/4*-1	6305
<b>54</b>	<b>MD5-5400-RET-BT</b>	<b>MD-RR-5-54</b>	<b>63</b>	<b>57 1/8</b>	<b>65 3/4</b>	<b>8 7/8</b>	<b>132</b>	<b>60</b>	<b>42</b>	<b>1-1/4*-1</b>	<b>6305</b>
60	MD5-6000-RET-BT	MD-RR-5-60	69	63 1/8	71 3/4	8 7/8	224	65	46	1-1/4*-1	6305
<b>66</b>	<b>MD5-6600-RET-BT</b>	<b>MD-RR-5-60</b>	<b>75</b>	<b>63 1/8</b>	<b>77 3/4</b>	<b>8 7/8</b>	<b>228</b>	<b>69</b>	<b>50</b>	<b>1-1/4*-1</b>	<b>6305</b>
72	MD5-7200-RET-BT	MD-RR-5-72	81	75 1/8	83 3/4	8 7/8	235	77	54	1-1/4*-1	6305
<b>78</b>	<b>MD5-7800-RET-BT</b>	<b>MD-RR-5-78</b>	<b>87</b>	<b>75 1/8</b>	<b>89 3/4</b>	<b>8 7/8</b>	<b>239</b>	<b>80</b>	<b>58</b>	<b>1-1/4*-1</b>	<b>6305</b>

### 6" ROLL

BELT WIDTH	IDLER PART NUMBER	ROLL PART NUMBER	A	B	C	D	IDLER WEIGHT	ROLL WEIGHT	ROLL ROTATING WEIGHT	SHAFT Ø	BRG TYPE
24	MD6-2400-RET-BT	MD-RR-6-24	33	27 1/8	35 3/4	8 7/8	82	39	31	1-1/4*-1	6305
<b>30</b>	<b>MD6-3000-RET-BT</b>	<b>MD-RR-6-30</b>	<b>39</b>	<b>33 1/8</b>	<b>41 3/4</b>	<b>8 7/8</b>	<b>93</b>	<b>47</b>	<b>37</b>	<b>1-1/4*-1</b>	<b>6305</b>
36	MD6-3600-RET-BT	MD-RR-6-36	45	39 1/8	47 3/4	8 7/8	106	54	42	1-1/4*-1	6305
<b>42</b>	<b>MD6-4200-RET-BT</b>	<b>MD-RR-6-42</b>	<b>51</b>	<b>45 1/8</b>	<b>53 3/4</b>	<b>8 7/8</b>	<b>117</b>	<b>61</b>	<b>48</b>	<b>1-1/4*-1</b>	<b>6305</b>
48	MD6-4800-RET-BT	MD-RR-6-48	57	51 1/8	59 3/4	8 7/8	129	68	53	1-1/4*-1	6305
<b>54</b>	<b>MD6-5400-RET-BT</b>	<b>MD-RR-6-54</b>	<b>63</b>	<b>57 1/8</b>	<b>65 3/4</b>	<b>8 7/8</b>	<b>148</b>	<b>76</b>	<b>59</b>	<b>1-1/4*-1</b>	<b>6305</b>
60	MD6-6000-RET-BT	MD-RR-6-60	69	63 1/8	71 3/4	8 7/8	242	83	64	1-1/4*-1	6305
<b>66</b>	<b>MD6-6600-RET-BT</b>	<b>MD-RR-6-66</b>	<b>75</b>	<b>69</b>	<b>77 3/4</b>	<b>8 7/8</b>	<b>260</b>	<b>90</b>	<b>70</b>	<b>1-1/4*-1</b>	<b>6305</b>
72	MD6-7200-RET-BT	MD-RR-6-72	81	75 1/8	83 3/4	8 7/8	278	98	75	1-1/4*-1	6305
<b>78</b>	<b>MD6-7800-RET-BT</b>	<b>MD-RR-6-78</b>	<b>87</b>	<b>81 1/8</b>	<b>89 3/4</b>	<b>8 7/8</b>	<b>293</b>	<b>105</b>	<b>81</b>	<b>1-1/4*-1</b>	<b>6305</b>

#### NOTES :

1. Also available with 1-1/2" drop.
  2. Also available with wide mounting centers = A + 6"
  3. Dimensions in Inches, Weights in lbs
  4. Note actual drop height will be approximately 5/8" smaller for correct tamer operation
- 1 1/4" Diameter shaft stepped down to 1" Diameter at the bearing

Dimensions subject to change without notice. Certified prints available upon request