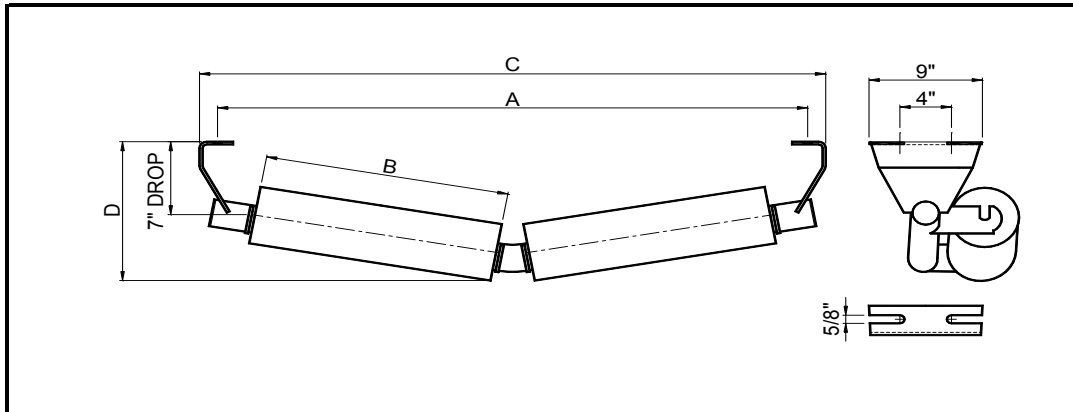




## 10° V - RETURN IDLER



### 5" ROLL

BELT WIDTH	IDLER PART NUMBER	ROLL PART NUMBER	A	B	C	D	IDLER WEIGHT	ROLL WEIGHT	ROLL ROTATING WEIGHT	SHAFT Ø	BRG TYPE
36	MD5-3610-VRET	MD-VR-5-36	45	18 3/4	48	16 7/8	57	21	15	1 -1/4*-1	6205
42	<b>MD5-4210-VRET</b>	<b>MD-VR-5-42</b>	<b>51</b>	<b>22</b>	<b>54</b>	<b>17 1/2</b>	<b>66</b>	<b>24</b>	<b>17</b>	<b>1 -1/4*-1</b>	<b>6205</b>
48	MD5-4810-VRET	MD-VR-5-48	57	25	60	18	76	27	19	1 -1/4*-1	6205
54	<b>MD5-5410-VRET</b>	<b>MD-VR-5-54</b>	<b>63</b>	<b>28 3/8</b>	<b>66</b>	<b>18 7/8</b>	<b>88</b>	<b>30</b>	<b>21</b>	<b>1 -1/4*-1</b>	<b>6205</b>
60	MD5-6010-VRET	MD-VR-5-60	69	31 1/2	72	19 1/2	103	33	23	1 -1/4*-1	6205
66	<b>MD5-6610-VRET</b>	<b>MD-VR-5-66</b>	<b>75</b>	<b>34 7/8</b>	<b>78</b>	<b>20</b>	<b>116</b>	<b>36</b>	<b>26</b>	<b>1 -1/4*-1</b>	<b>6205</b>
72	MD5-7210-VRET	MD-VR-5-72	81	38	84	20 1/2	126	39	28	1 -1/4*-1	6205
78	<b>MD5-7810-VRET</b>	<b>MD-VR-5-78</b>	<b>87</b>	<b>42</b>	<b>90</b>	<b>21</b>	<b>135</b>	<b>43</b>	<b>31</b>	<b>1 -1/4*-1</b>	<b>6205</b>

### 6" ROLL

BELT WIDTH	IDLER PART NUMBER	ROLL PART NUMBER	A	B	C	D	IDLER WEIGHT	ROLL WEIGHT	ROLL ROTATING WEIGHT	SHAFT Ø	BRG TYPE
36	MD6-3610-VRET	MD-VR-6-36	45	18 3/4	48	16 7/8	65	25	19	1 -1/4*-1	6205
42	<b>MD6-4210-VRET</b>	<b>MD-VR-6-42</b>	<b>51</b>	<b>22</b>	<b>54</b>	<b>17 1/2</b>	<b>74</b>	<b>28</b>	<b>21</b>	<b>1 -1/4*-1</b>	<b>6205</b>
48	MD6-4810-VRET	MD-VR-6-48	57	25	60	18	86	32	24	1 -1/4*-1	6205
54	<b>MD6-5410-VRET</b>	<b>MD-VR-6-54</b>	<b>63</b>	<b>28 3/8</b>	<b>66</b>	<b>18 7/8</b>	<b>99</b>	<b>35</b>	<b>27</b>	<b>1 -1/4*-1</b>	<b>6205</b>
60	MD6-6010-VRET	MD-VR-6-60	69	31 1/2	72	19 1/2	115	39	30	1 -1/4*-1	6205
66	<b>MD6-6610-VRET</b>	<b>MD-VR-6-66</b>	<b>75</b>	<b>34 7/8</b>	<b>78</b>	<b>20</b>	<b>129</b>	<b>43</b>	<b>32</b>	<b>1 -1/4*-1</b>	<b>6205</b>
72	MD6-7210-VRET	MD-VR-6-72	81	38	84	20 1/2	141	46	35	1 -1/4*-1	6205
78	<b>MD6-7810-VRET</b>	<b>MD-VR-6-78</b>	<b>87</b>	<b>42</b>	<b>90</b>	<b>21</b>	<b>157</b>	<b>51</b>	<b>38</b>	<b>1 -1/4*-1</b>	<b>6205</b>

NOTES :

1. Also available with wide mounting centers = A + 6"
2. Dimensions in Inches, Weights in lbs
3. V-Return idler also available with 4-1/2 inch drop.
4. 1-1/4" Diameter shaft stepped down to 1" Diameter at shaft.