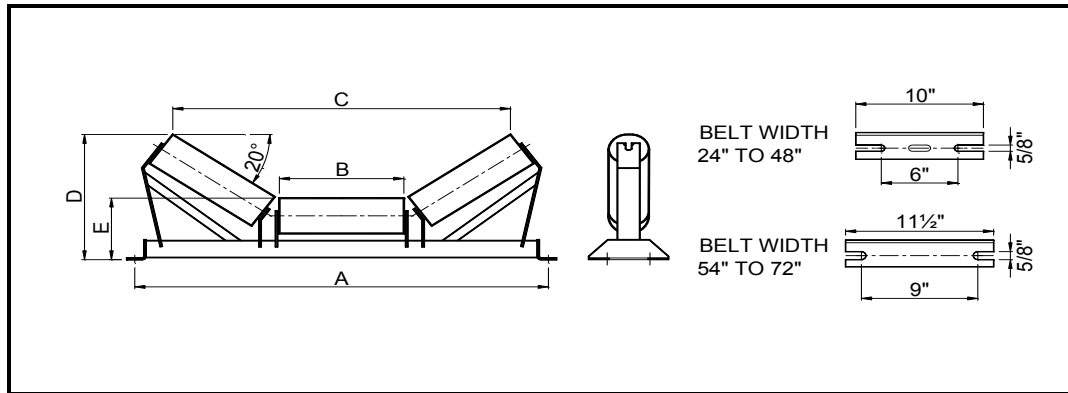


## 20° INLINE TROUGH IDLER



### 5" ROLL

BELT WIDTH	IDLER PART NUMBER	ROLL PART NUMBER	A	B	C	D	E ± 1/4"	IDLER WEIGHT	ROLL WEIGHT	ROLL ROTATING WEIGHT	SHAFT Ø	BRG TYPE
24	MD5-2420-ILT	MD-TR-5-24	33	9 1/2	28 1/4	12	8 1/2	63	15	12	1	6305
30	<b>MD5-3020-ILT</b>	<b>MD-TR-5-30</b>	<b>39</b>	<b>11 3/8</b>	<b>34</b>	<b>12 1/2</b>	<b>8 1/2</b>	<b>73</b>	<b>16</b>	<b>13</b>	<b>1</b>	<b>63045</b>
36	MD5-3620-ILT	MD-TR-5-36	45	13 3/8	39 1/2	13 1/4	8 1/2	81	18	14	1	6205
42	<b>MD5-4220-ILT</b>	<b>MD-TR-5-42</b>	<b>51</b>	<b>15 3/8</b>	<b>45 1/4</b>	<b>14 1/2</b>	<b>9</b>	<b>91</b>	<b>20</b>	<b>16</b>	<b>1-1/4* - 1</b>	<b>6305</b>
48	MD5-4820-ILT	MD-TR-5-48	57	17 3/4	52	15 1/4	9	99	22	17	1-1/4* - 1	6305
54	<b>MD5-5420-ILT</b>	<b>MD-TR-5-54</b>	<b>63</b>	<b>19 3/4</b>	<b>57 3/4</b>	<b>16 1/4</b>	<b>9 1/4</b>	<b>122</b>	<b>24</b>	<b>18</b>	<b>1-1/4* - 1</b>	<b>6305</b>
60	MD5-6020-ILT	MD-TR-5-60	69	22	64 1/2	17	9 1/4	136	26	20	1-1/4* - 1	6305
72	<b>MD5-7220-ILT</b>	<b>MD-TR-5-72</b>	<b>81</b>	<b>26</b>	<b>75 3/4</b>	<b>18 1/2</b>	<b>9 1/2</b>	<b>160</b>	<b>30</b>	<b>22</b>	<b>1-1/4* - 1</b>	<b>6305</b>

### 6" ROLL

BELT WIDTH	IDLER PART NUMBER	ROLL PART NUMBER	A	B	C	D	E ± 1/4"	IDLER WEIGHT	ROLL WEIGHT	ROLL ROTATING WEIGHT	SHAFT Ø	BRG TYPE
24	MD6-2420-ILT	MD-TR-6-24	33	9 1/2	27 1/2	12 1/2	9	73	18	15	1	6305
30	<b>MD6-3020-ILT</b>	<b>MD-TR-6-30</b>	<b>39</b>	<b>11 3/8</b>	<b>33 1/4</b>	<b>13</b>	<b>9</b>	<b>84</b>	<b>20</b>	<b>17</b>	<b>1</b>	<b>6305</b>
36	MD6-3620-ILT	MD-TR-6-36	45	13 3/8	38 3/4	13 3/4	9	94	23	19	1-1/4* - 1	6305
42	<b>MD6-4220-ILT</b>	<b>MD-TR-6-42</b>	<b>51</b>	<b>15 3/8</b>	<b>44 1/2</b>	<b>15</b>	<b>9 1/2</b>	<b>105</b>	<b>25</b>	<b>20</b>	<b>1-1/4* - 1</b>	<b>6305</b>
48	MD6-4820-ILT	MD-TR-6-48	57	17 3/4	51 1/4	15 3/4	9 1/2	116	28	23	1-1/4* - 1	6305
54	<b>MD6-5420-ILT</b>	<b>MD-TR-6-54</b>	<b>63</b>	<b>19 3/4</b>	<b>57</b>	<b>16 3/4</b>	<b>9 3/4</b>	<b>140</b>	<b>30</b>	<b>24</b>	<b>1-1/4* - 1</b>	<b>6305</b>
60	MD6-6020-ILT	MD-TR-6-60	69	22	63 3/4	17 1/2	9 3/4	156	33	27	1-1/4* - 1	6305
72	<b>MD6-7220-ILT</b>	<b>MD-TR-6-72</b>	<b>81</b>	<b>26</b>	<b>75 1/4</b>	<b>19</b>	<b>10</b>	<b>183</b>	<b>38</b>	<b>30</b>	<b>1-1/4* - 1</b>	<b>6305</b>

**NOTES :**

1. These idlers are available with 20°, 35° and 45° trough angles.
2. Also available with wide mounting centers = A + 6"
3. Trough idlers have 3 equal length fully interchangeable rollers.
4. The part number for a frame only is the idler part number with the suffix FR
5. Dimensions in Inches, Weights in lbs
6. \* 1-1/4" diameter shaft stepped-down to 1" diameter at the bearing.

*NB. The CEMA D standard for bolt centers is 6" for 24" to 36" belts, and 7-1/2" for 42" to 48" belts.*

*Our slots are open-ended allowing full compatibility from 24" to 48" belts, for 6" and larger than 7-1/2" bolt centers.*

*There is an additional central slot allowing for a single bolt option on 24" and up to 48" belt widths.*

Information subject to change without notice. Certified information available upon request