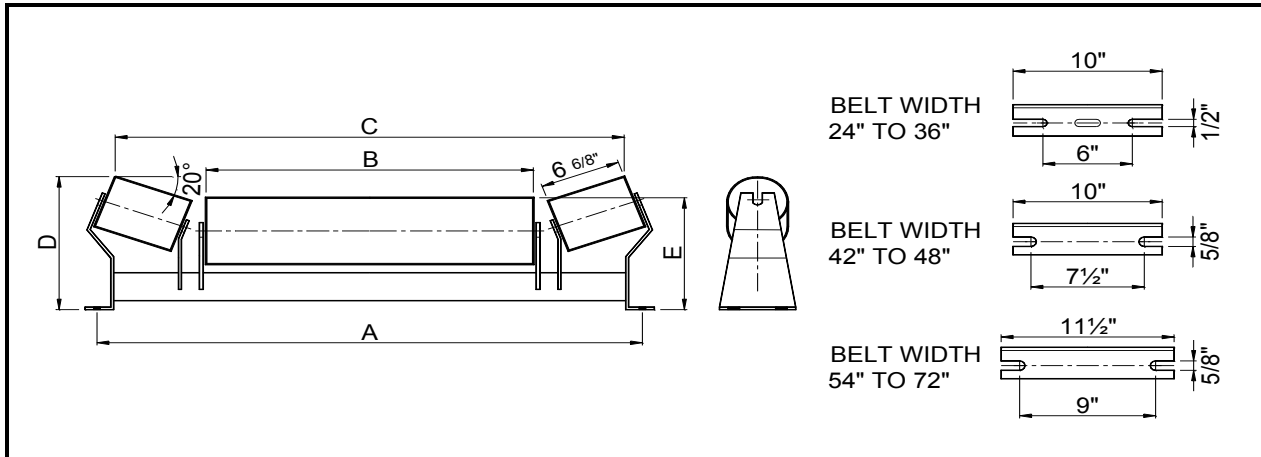




20° PICKING IDLER



5" ROLL

BELT WIDTH	IDLER PART NUMBER	ROLL PART NUMBER	A	B	C	D	E 1/4" ±	IDLER WEIGHT	ROLL WEIGHT	IDLER ROTATING WEIGHT	SHAFT Ø	BRG TYPE
24	MD5-2420-PIC	MD-PC-5-24	33	15 3/8	30 1/4	10 3/4	8 1/2	80	27	37	1 - 5/8	6308
30	MD5-3020-PIC	MD-PC-5-30	39	21 1/8	36	10 3/4	8 1/2	90	35	43	1 - 5/8	6308
36	MD5-3620-PIC	MD-PC-5-36	45	27 1/8	42	10 3/4	8 1/2	101	43	51	1 - 5/8	6308
42	MD5-4220-PIC	MD-PC-5-42	51	33 1/8	48	11 1/4	9	113	52	62	1 - 5/8	6308
48	MD5-4820-PIC	MD-PC-5-48	57	39 1/4	54	11 1/4	9	124	60	70	1 - 5/8	6308
54	MD5-5420-PIC	MD-PC-5-54	63	45	60	12	9 1/4	135	68	78	1 - 5/8	6308
60	MD5-6020-PIC	MD-PC-5-60	69	51	66	12	9 1/4	146	76	86	1 - 5/8	6308
72	MD5-7220-PIC	MD-PC-5-72	81	63	78	12 1/4	9 1/2	171	93	102	1 - 5/8	6308

6" ROLL

BELT WIDTH	IDLER PART NUMBER	ROLL PART NUMBER	A	B	C	D	E 1/4" ±	IDLER WEIGHT	ROLL WEIGHT	IDLER ROTATING WEIGHT	SHAFT Ø	BRG TYPE
24	MD6-2420-PIC	MD-PC-6-24	33	15 3/8	28	11 1/4	9	88	32	45	1 - 5/8	6308
30	MD6-3020-PIC	MD-PC-6-30	39	21 1/8	34	11 1/4	9	98	40	51	1 - 5/8	6308
36	MD6-3620-PIC	MD-PC-6-36	45	27 1/8	42	11 1/4	9	108	48	60	1 - 5/8	6308
42	MD6-4220-PIC	MD-PC-6-42	51	33 1/8	48	12 1/4	9 1/2	121	56	70	1 - 5/8	6308
48	MD6-4820-PIC	MD-PC-6-48	57	39	54	12 1/4	9 1/2	132	64	78	1 - 5/8	6308
54	MD6-5420-PIC	MD-PC-6-54	63	45	60	12 1/2	9 3/4	143	73	84	1 - 5/8	6308
60	MD6-6020-PIC	MD-PC-6-60	69	51	66	12 1/2	9 3/4	153	81	94	1 - 5/8	6308
72	MD6-7220-PIC	MD-PC-6-72	81	63	72	12 3/4	10	179	97	111	1 - 5/8	6308

NOTES :

1. Also available with wide mounting centers = A + 6"
2. Dimensions in Inches, Weights in lbs
3. Specify 'center' or 'wing' rollers when ordering replacement rollers
4. The part number for a frame only is the idler part number with the suffix FR
5. Wing rollers Ø5" or Ø6" - 6-6/8" Face - 6205 Bearing

Information subject to change without notice. Certified information available upon request