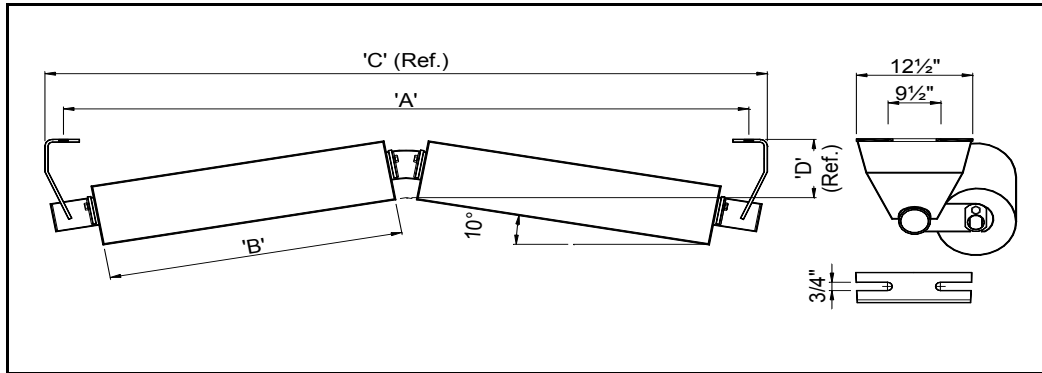




10° INVERTED V RETURN IDLER



6" ROLL

BELT WIDTH	IDLER PART NUMBER	ROLL PART NUMBER	A	B	C	D	IDLER WEIGHT	ROLL WEIGHT	ROLL ROTATING WEIGHT	SHAFT Ø	BRG TYPE
36	ME6-3610-INVRET	ME-VR-6-36	45	18 3/4	49	6	104	42	30	1-5/8 - 1-3/16*	6306
42	ME6-4210-INVRET	ME-VR-6-42	51	22	55	6	118	48	34	1-5/8 - 1-3/16*	6306
48	ME6-4810-INVRET	ME-VR-6-48	57	25	61	6	132	53	37	1-5/8 - 1-3/16*	6306
54	ME6-5410-INVRET	ME-VR-6-54	63	28 1/4	67	6	148	59	42	1-5/8 - 1-3/16*	6306
60	ME6-6010-INVRET	ME-VR-6-60	69	31 2/4	73	6	167	65	45	1-5/8 - 1-3/16*	6306
66	ME6-6610-INVRET	ME-VR-6-66	75	34 3/4	79	6	183	70	49	1-5/8 - 1-3/16*	6306
72	ME6-7210-INVRET	ME-VR-6-72	81	38	85	6	198	76	53	1-5/8 - 1-3/16*	6306
78	ME6-7810-INVRET	ME-VR-6-78	87	41 2/4	91	6	214	82	57	1-5/8 - 1-3/16*	6306
84	ME6-8410-INVRET	ME-VR-6-84	93	45	97	6	229	89	62	1-5/8 - 1-3/16*	6306
90	ME6-9010-INVRET	ME-VR-6-90	99	48 1/4	103	6	244	94	66	1-5/8 - 1-3/16*	6306
96	ME6-9610-INVRET	ME-VR-6-96	105	51	109	6	259	99	69	1-5/8 - 1-3/16*	6306
102	ME6-10210-INVRET	ME-VR-6-102	111	54 1/4	115	6	276	105	73	1-5/8 - 1-3/16*	6306

7" ROLL

BELT WIDTH	IDLER PART NUMBER	ROLL PART NUMBER	A	B	C	D	IDLER WEIGHT	ROLL WEIGHT	ROLL ROTATING WEIGHT	SHAFT Ø	BRG TYPE
36	ME7-3610-INVRET	ME-VR-7-36	45	18 5/7	49	6 1/2	112	46	34	1-5/8 - 1-3/16*	6306
42	ME7-4210-INVRET	ME-VR-7-42	51	22	55	6 1/2	127	53	39	1-5/8 - 1-3/16*	6306
48	ME7-4810-INVRET	ME-VR-7-48	57	25	61	6 1/2	142	58	43	1-5/8 - 1-3/16*	6306
54	ME7-5410-INVRET	ME-VR-7-54	63	28 1/3	67	6 1/2	160	65	48	1-5/8 - 1-3/16*	6306
60	ME7-6010-INVRET	ME-VR-7-60	69	31 1/2	73	6 1/2	180	71	52	1-5/8 - 1-3/16*	6306
66	ME7-6610-INVRET	ME-VR-7-66	75	34 5/6	79	6 1/2	198	78	57	1-5/8 - 1-3/16*	6306
72	ME7-7210-INVRET	ME-VR-7-72	81	38	85	6 1/2	215	84	61	1-5/8 - 1-3/16*	6306
78	ME7-7810-INVRET	ME-VR-7-78	87	41 1/2	91	6 1/2	234	91	66	1-5/8 - 1-3/16*	6306
84	ME7-8410-INVRET	ME-VR-7-84	93	45 1/8	97	6 1/2	252	98	72	1-5/8 - 1-3/16*	6306
90	ME7-9010-INVRET	ME-VR-7-90	99	48 1/4	103	6 1/2	270	105	76	1-5/8 - 1-3/16*	6306
96	ME7-9610-INVRET	ME-VR-7-96	105	51 1/9	109	6 1/2	284	110	80	1-5/8 - 1-3/16*	6306
102	ME7-10210-INVRET	ME-VR-7-102	111	54 1/4	115	6 1/2	302	116	85	1-5/8 - 1-3/16*	6306

NOTES :

1. Also available with wide mounting centers = A + 6"
2. Dimensions in Inches, Weights in lbs
3. *1-5/8" diameter shaft stepped-down to 1-3/16" diameter at the bearing

Information subject to change without notice. Certified information available upon request