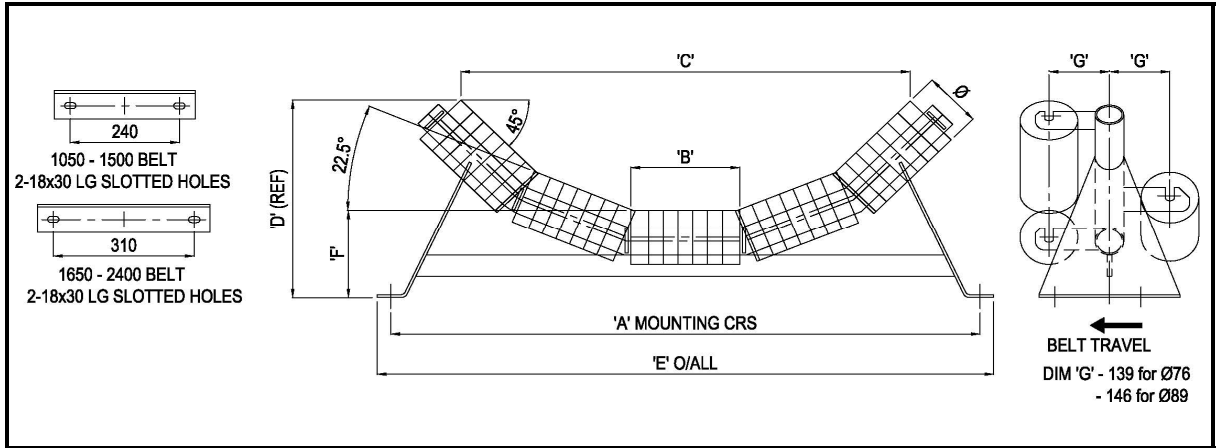




**5 ROLL OFF SET TUBULAR IMPACT 35 SHAFT 45°**



**Ø 159 RUBBER DISC IMPACT ROLLERS**

BELT WIDTH	A	B	C	D	E	F	MASS			
							FRAME	ROLL	ROTATING (PER SET)	IDLER SET
1050	1296	240	970	521	1346	268	30	10.1	39.5	80.4
1200	1448	270	1098	554	1498	268	34	10.9	42.3	88.3
1350	1600	300	1225	587	1660	268	39	11.6	45.1	97.2
1500	1752	340	1396	651	1812	288	41	12.5	48.1	103.7
1650	1904	370	1524	684	1964	288	49	13.3	50.9	115.6
1800	2058	400	1652	717	2118	288	51	14.1	53.6	121.5
2100	2362	475	1971	799	2422	288	55	15.9	59.6	134.3
2400	2668	536	2231	866	2728	288	66	17.4	65.1	153.2

Notes

1. Dimensions in mm, Masses in kg
2. Idler dimensions to SANS 1313 -1 2002 "Conveyor Belt Idlers"

**Information subject to change without notice. Certified information available upon request.**