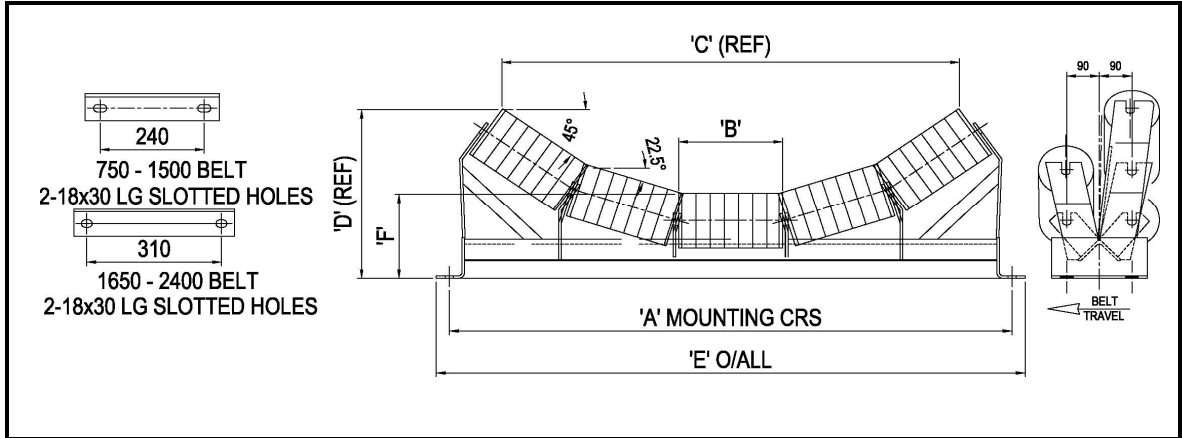




5 ROLL OFF SET IMPACT 30 SHAFT 35°



Ø 159 RUBBER DISC IMPACT ROLLERS

BELT WIDTH	A	B	C	D	E	F	MASS			
							FRAME	ROLL	ROTATING (PER SET)	IDLER SET
1050	1296	240	975	470	1356	268	27.4	9.1	37.5	72.9
1200	1448	270	1103	502	1508	268	32.7	9.9	40.6	82.1
1350	1600	300	1230	535	1660	268	42.3	10.6	43.4	95.3
1500	1752	340	1401	579	1812	288	53.2	11.6	47.1	111.1
1650	1904	370	1529	611	1964	288	58.2	12.3	49.9	119.7
1800	2058	400	1657	644	2118	288	66.2	13.1	53.2	131.9
2100	2362	475	1976	726	2422	288	73.7	14.9	60.0	148.2
2400	2668	536	2236	792	2728	288	88.4	16.5	66.2	170.8

Notes

1. Dimensions in mm, Masses in kg
2. Idler dimensions to SANS. 1313 -1 2002 "Conveyor Belt Idlers"

Information subject to change without notice. Certified information available upon request.